



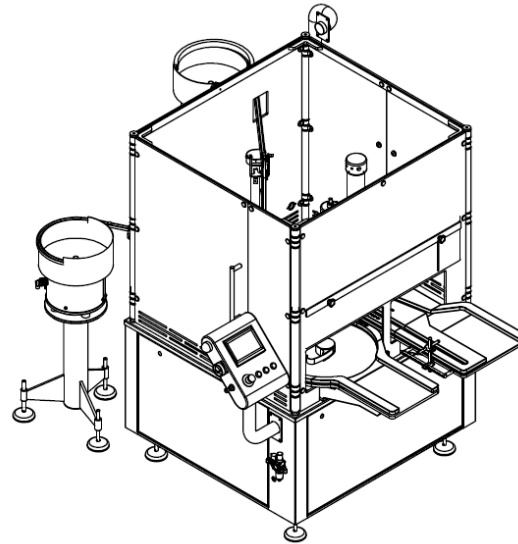
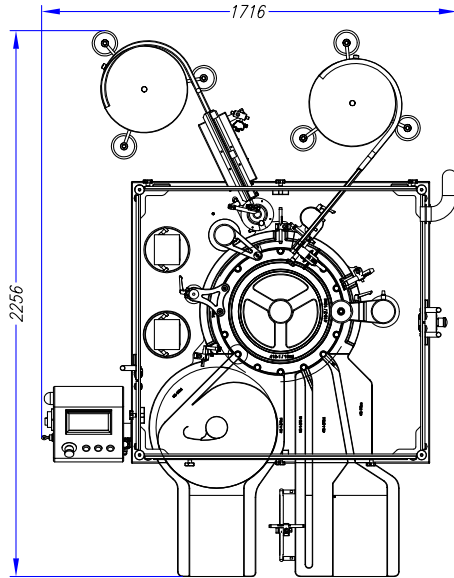
MI-I SERIES

Machine specially designed for sterile pharma filling, able to fill liquid and pharma powder,
Output up to 6.000 b/h

- Filling, stoppering and crimping machine for vials and syringes.
- Intermittent rotary filler for doses from 1ml to 500ml.
- For formats up to 80 mm ϕ in simple configuration. Maximum output 3.000/ hour. For formats up to 26 mm ϕ in double configuration. 6.000/ hour.
- Totally built in stainless steel Aisi 304.
- Built as per cGMP, FDA standards.
- Machine can be sterilized by H₂O₂ and without corners.
- Machine can hold up to 4 heads.
- Elements in contact with product Aisi 316L.
- Compact machine including stopper introduction by means of a servo pick and place; capsule introduction and Crimping head by pneumatics.
- Star wheel controlled by servo-motor.
- Controlled through axes controlling system.
- Nozzles $ra < 0,5$ with special rugosity for injectable products.
- No vial no fill.
- DQ documentation.
- Vials Filling by means of: Peristaltic pump, Stainless steel Rotary pump, Ceramic Rotary pump, CIP/SIP Rotary pump.
- High Containment solution.



OPTIONALS & Layout



- IQ, OQ Documentation.
- Vials reject for no filled vials, no stoppered vials, lower Lyo stoppered vials, and no capsule vials.
- CFR21 compliance.
- 100% vials weighing.
- Laminar Flow (LF).
- oRABs, cRABs, Isolator.
- Gas Flushing.

VIDEO Scan Qr Code to see video

C/Camí de Ca la Madrona 5-7 (Pol. Mata Rocafonda)
08304 Mataró, Barcelona
www.i-dositecno.com
Tel. +34 937 962 668

