

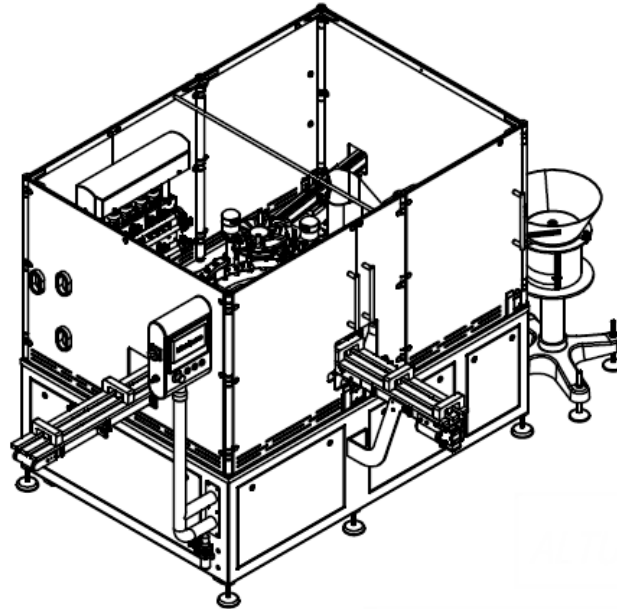
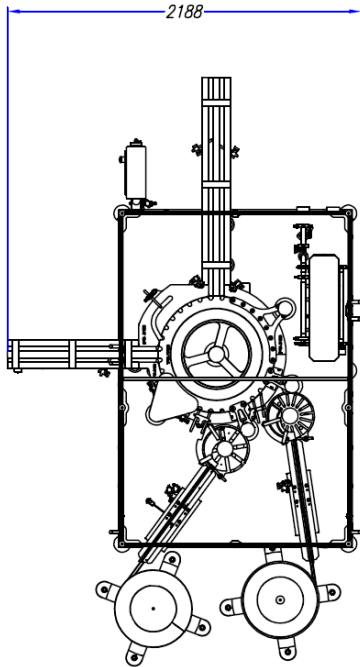
MI-O SERIES

Machine specially designed for laboratory, able to fill liquids (OPHTALMICS), Output up to 6.000 b/h

- Filling and capping machine for eye-drop bottles.
- Intermittent rotary filler for doses from 1ml to 500ml.
- For formats up to 80 mm ø in simple configuration. Maximum output 3.000/ hour. For formats up to 26 mm ø in double configuration. Maximum output 6.000/ hour.
- Totally built in stainless steel Aisi 304.
- Built as per cGMP, FDA standards.
- Machine can be sterilized by H2O2 and without corners.
- Machine can hold up to 4 heads.
- Elements in contact with product Aisi 316L.
- Compact machine including eye-drop introduction by means of a servo pick and place, cap introduction by mean of a servo pick and place and screwing by pneumatics.
- Star wheel, controlled by servomotor.
- Controlled through axes controlling system.
- Nozzles ra<0,5 with special rugosity for sterile products.
- No bottle no fill.
- DQ Documentation.
- Bottles feeding by means of turn table, or unscrambler.
- Vials Filling by means of: Peristaltic pump, Stainless steel Rotary pump, Ceramic Rotary pump, CIP/SIP Rotary pump.



OPTIONALS & Layout



- IQ, OQ Documentation.
- CFR21 compliance.
- 100% vials weighing.
- Laminar Flow (LF).
- oRABs, cRABs, Isolator.
- Gas Flushing.
- Bottles reject for no filled bottles, no eye-drop in the bottles and no capped bottles.
- Airless movements, without any air consumption.

VIDEO Scan Qr Code to see video



C/Camí de Ca la Madrona 5-7 (Pol. Mata Rocafonda)
08304 Mataró, Barcelona
www.i-dositecno.com
Tel. +34 937 962 668

